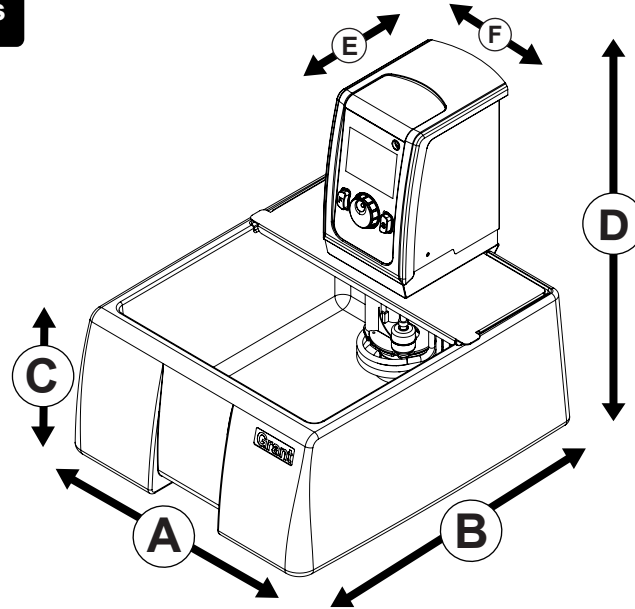


Overall dimensions



Please note images are for representation purposes only

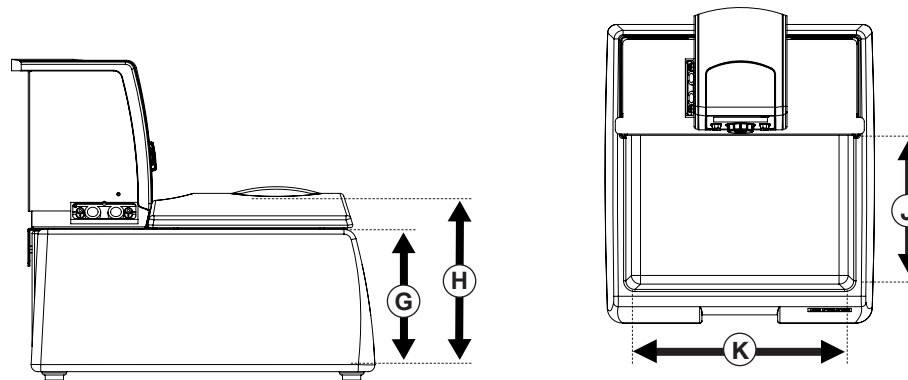
Packed weight: Tank: 6kg
Thermostat: 4kg
Total: 10kg

Product weight: Tank: 5kg
Thermostat: 2.8kg

Packed dimensions (h x w x d):
Thermostat: 440mm x 200mm x 310mm
Tank: 350mm x 380mm x 400mm

Product dimensions: A 350mm
B 600mm
C 180mm
D 385mm
E 172mm
F 120mm

Working area



G	155mm
H	165mm
J	260mm
K	375mm

Please note images are for representation purposes only

Vessel capacity with tank lid

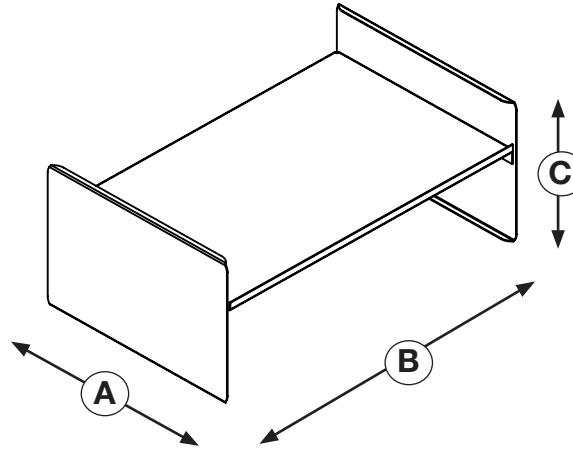
	Diameter	Height	Max. no in bath
Duran 21-801: 100ml	56mm	105mm	26s
Duran 21-801: 150ml	62mm	110mm	25s
Duran 21-801: 250ml	70mm	143mm	18s
Duran 21-801: 500ml	86mm	181mm	0
Duran 21-801: 750ml	95mm	203mm	0
Duran 21-801: 1000ml	101mm	230mm	0
Duran 21-801: 2000ml	136mm	265mm	0

Vessel capacity without tank lid

	Diameter	Height	Max. no in bath
Duran 21-801: 100ml	56mm	105mm	26s
Duran 21-801: 150ml	62mm	110mm	25s
Duran 21-801: 250ml	70mm	143mm	18s
Duran 21-801: 500ml	86mm	181mm	12
Duran 21-801: 750ml	95mm	203mm	9s
Duran 21-801: 1000ml	101mm	230mm	9s
Duran 21-801: 2000ml	136mm	265mm	4s

s - staggered to fit maximum number

Raised shelves dimensions

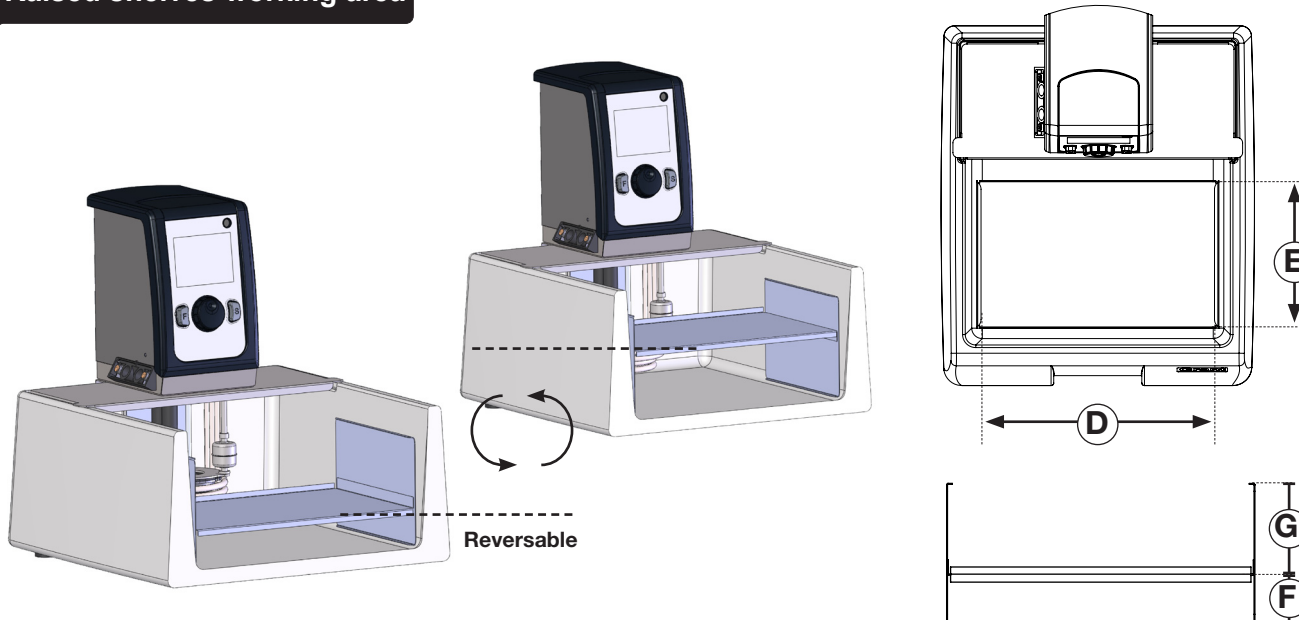


Please note images are for representation purposes only

RS22 raised shelf dimensions:

- A 330mm
- B 267mm
- C 118mm

Raised shelves working area



D	257mm
E	330mm
F	40mm
G	77mm

P18 tank accommodates 1 x RS22

Minimum liquid depth 85mm, to submerge at lower level depth use the raised shelf

Please note images are for representation purposes only