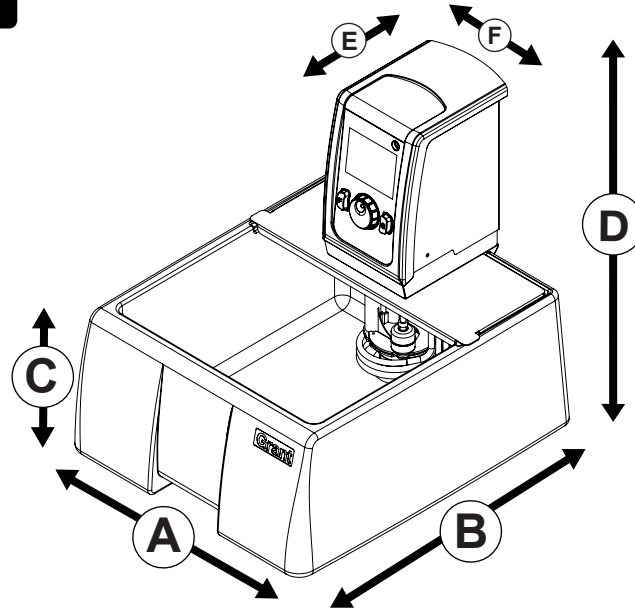


## Overall dimensions



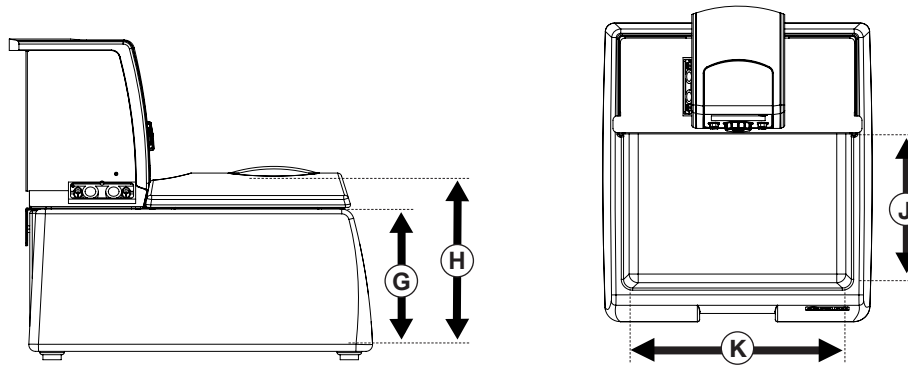
Please note images are for representation purposes only

<b>Packed weight:</b>	Tank: 4.5kg
	Thermostat: 4kg
	<b>Total: 8.5kg</b>
<b>Product weight:</b>	Tank: 3.5kg
	Thermostat: 2.8kg
	<b>Total: 5.3kg</b>

**Packed dimensions (h x w x d):**  
**Thermostat: 440mm x 200mm x 310mm**  
**Tank: 210mm x 370mm x 470mm**

<b>Product dimensions:</b>	<b>A 350mm</b>
	<b>B 415mm</b>
	<b>C 180mm</b>
	<b>D 385mm</b>
	<b>E 172mm</b>
	<b>F 120mm</b>

## Working area



<b>G</b>	<b>155mm</b>
<b>H</b>	<b>165mm</b>
<b>J</b>	<b>195mm</b>
<b>K</b>	<b>260mm</b>

Please note images are for representation purposes only

## Vessel capacity with tank lid

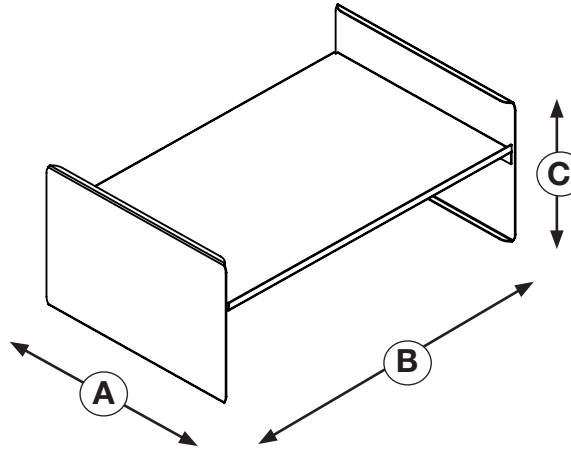
	Diameter	Height	Max. no in bath
Duran 21-801: 100ml	56mm	105mm	12
Duran 21-801: 150ml	62mm	110mm	12
Duran 21-801: 250ml	70mm	143mm	9s
Duran 21-801: 500ml	86mm	181mm	0
Duran 21-801: 750ml	95mm	203mm	0
Duran 21-801: 1000ml	101mm	230mm	0
Duran 21-801: 2000ml	136mm	265mm	0

## Vessel capacity without tank lid

	Diameter	Height	Max. no in bath
Duran 21-801: 100ml	56mm	105mm	12
Duran 21-801: 150ml	62mm	110mm	12
Duran 21-801: 250ml	70mm	143mm	9s
Duran 21-801: 500ml	86mm	181mm	6
Duran 21-801: 750ml	95mm	203mm	4s
Duran 21-801: 1000ml	101mm	230mm	4s
Duran 21-801: 2000ml	136mm	265mm	2

s - staggered to fit maximum number

## Raised shelves dimensions

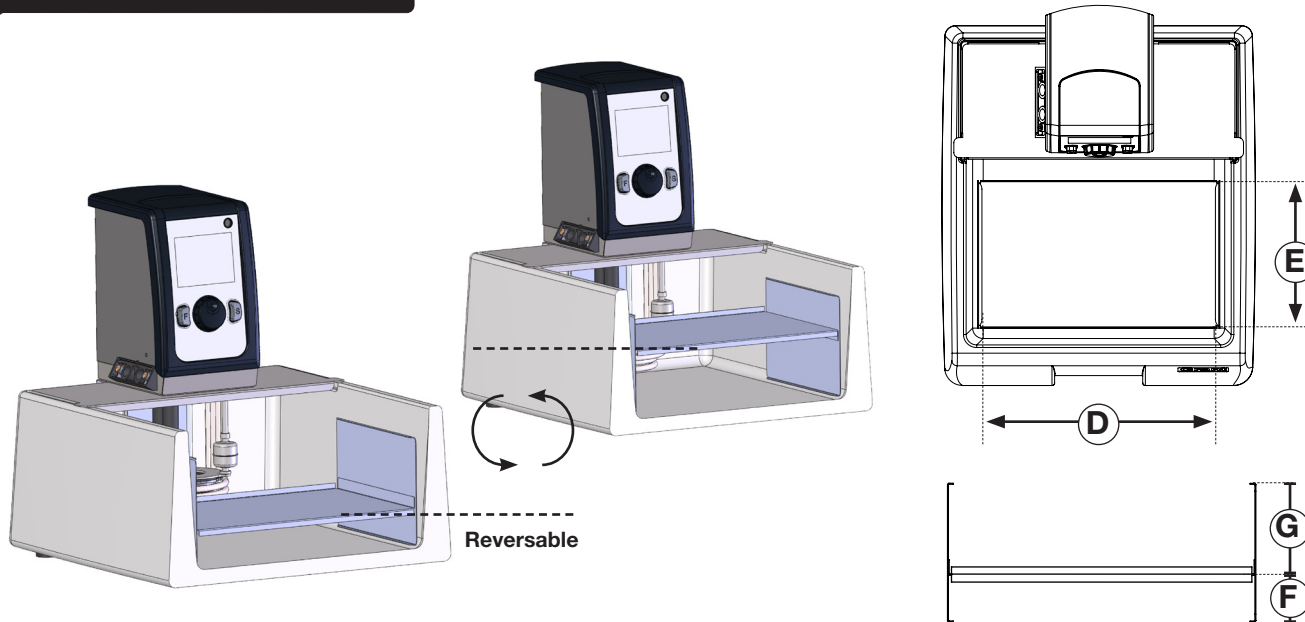


Please note images are for representation purposes only

## RS14 raised shelf dimensions:

A 170mm  
B 275mm  
C 118mm

## Raised shelves working area



P12 tank accommodates 1 x RS14 raised shelf

Minimum liquid depth 85mm, to submerge at lower level depth use the raised shelf

D	265mm
E	170mm
F	40mm
G	77mm

Please note images are for representation purposes only