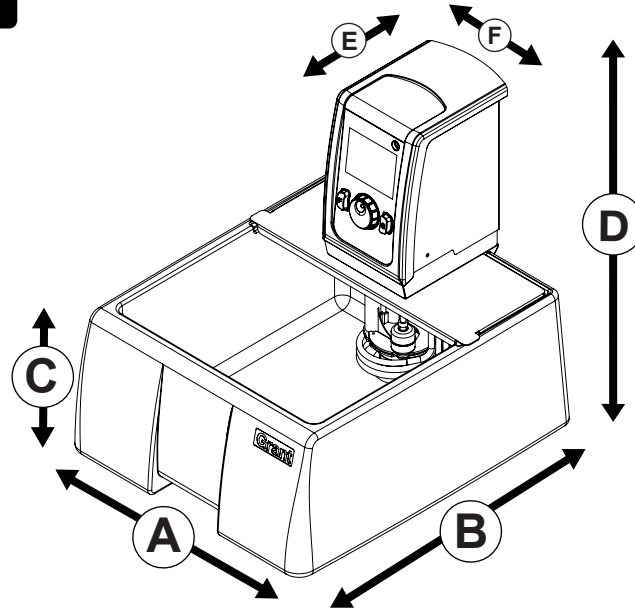


Overall dimensions



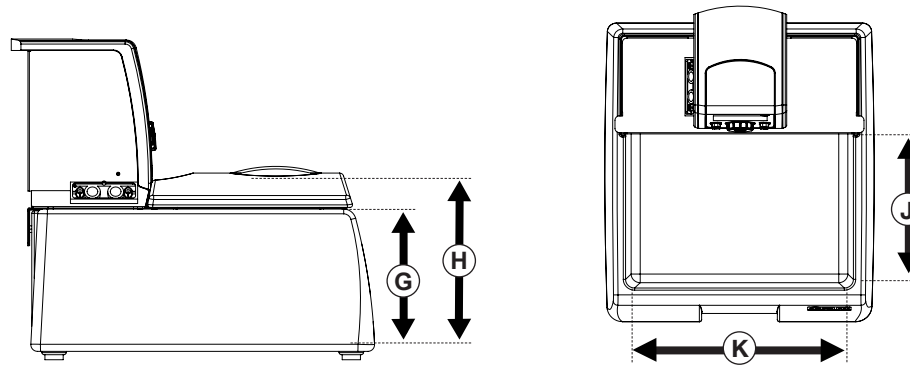
Please note images are for representation purposes only

Packed weight:	Tank: 4.5kg
	Thermostat: 4kg
	Total: 8.5kg
Product weight:	Tank: 3.5kg
	Thermostat: 2.8kg
	Total: 6.3kg

Packed dimensions (h x w x d):
Thermostat: 440mm x 200mm x 310mm
Tank: 210mm x 370mm x 470mm

Product dimensions:	A 350mm
	B 415mm
	C 180mm
	D 385mm
	E 172mm
	F 120mm

Working area



G	155mm
H	165mm
J	195mm
K	260mm

Please note images are for representation purposes only

Vessel capacity with tank lid

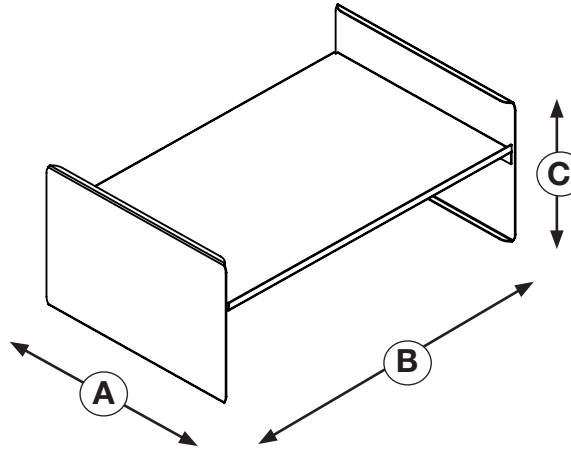
	Diameter	Height	Max. no in bath
Duran 21-801: 100ml	56mm	105mm	12
Duran 21-801: 150ml	62mm	110mm	12
Duran 21-801: 250ml	70mm	143mm	9s
Duran 21-801: 500ml	86mm	181mm	0
Duran 21-801: 750ml	95mm	203mm	0
Duran 21-801: 1000ml	101mm	230mm	0
Duran 21-801: 2000ml	136mm	265mm	0

Vessel capacity without tank lid

	Diameter	Height	Max. no in bath
Duran 21-801: 100ml	56mm	105mm	12
Duran 21-801: 150ml	62mm	110mm	12
Duran 21-801: 250ml	70mm	143mm	9s
Duran 21-801: 500ml	86mm	181mm	6
Duran 21-801: 750ml	95mm	203mm	4s
Duran 21-801: 1000ml	101mm	230mm	4s
Duran 21-801: 2000ml	136mm	265mm	2

s - staggered to fit maximum number

Raised shelves dimensions

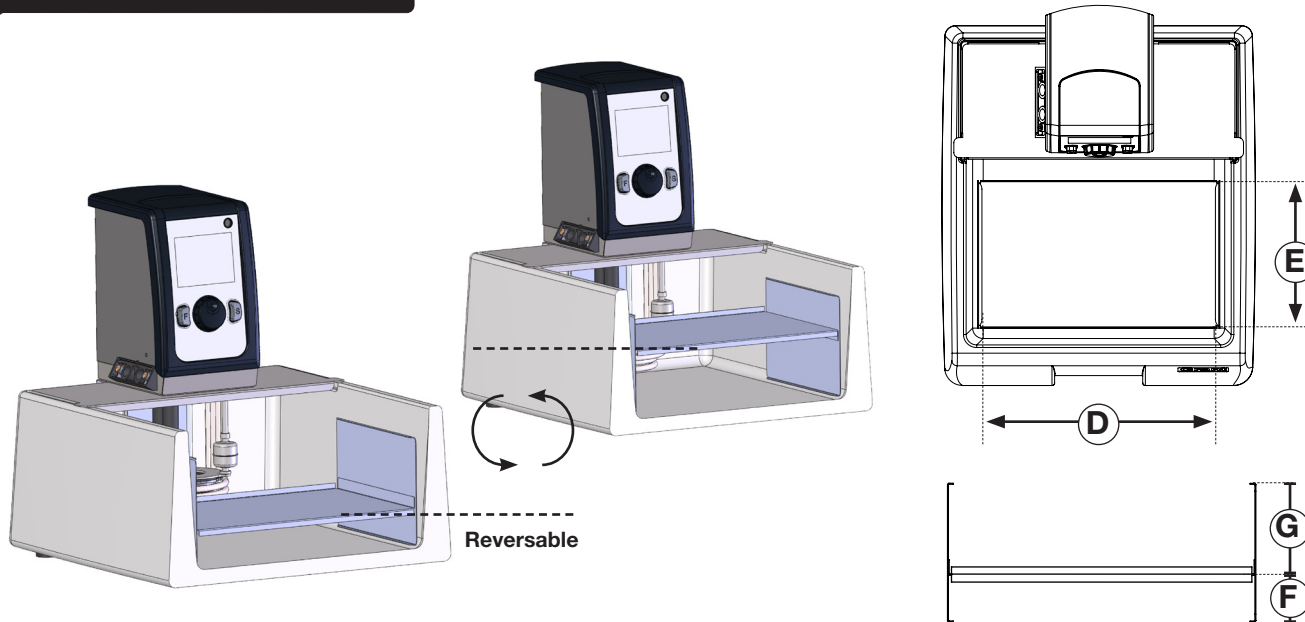


Please note images are for representation purposes only

RS14 raised shelf dimensions:

A 170mm
B 275mm
C 118mm

Raised shelves working area



P12 tank accommodates 1 x RS14 raised shelf

Minimum liquid depth 85mm, to submerge at lower level depth use the raised shelf

Please note images are for representation purposes only