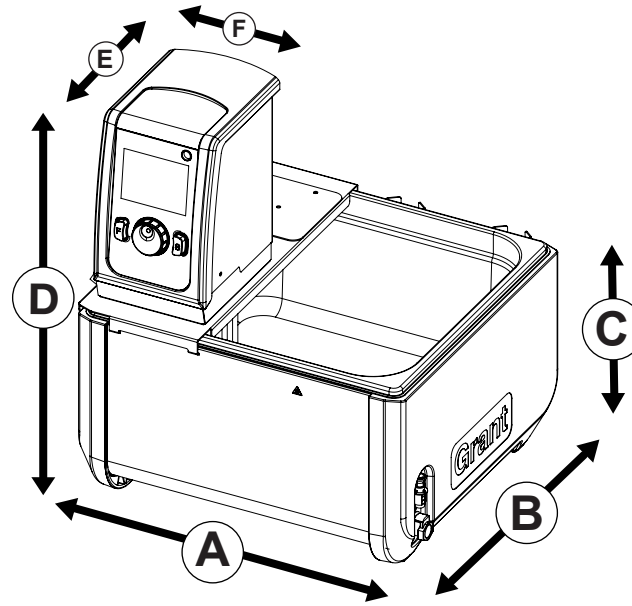


## Overall dimensions



Please note images are for representation purposes only

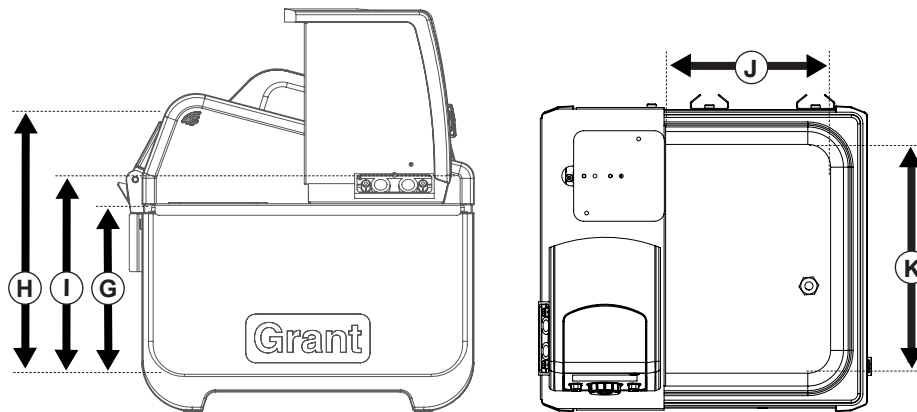
<b>Packed weight:</b>	<b>Tank:</b> 14.5kg
	<b>Thermostat:</b> 4kg
	<b>Total:</b> 18.5kg
<b>Product weight:</b>	<b>Tank:</b> 11kg
	<b>Thermostat:</b> 2.8kg
	<b>Total:</b> 13.8kg

### Packed dimensions (h x w x d):

**Thermostat:** 310mm x 440mm x 200mm  
**Tank:** 410mm x 860mm x 410mm

<b>Product dimensions:</b>	<b>A</b> 730mm
	<b>B</b> 335mm
	<b>C</b> 260mm
	<b>D</b> 460mm
	<b>E</b> 172mm
	<b>F</b> 120mm

## Working area



Can be used with or without circulation tray provided (height 14mm)

<b>H</b>	<b>290mm</b>
<b>G</b>	<b>190mm</b>
<b>I</b>	<b>225mm</b>
<b>J</b>	<b>575mm</b>
<b>K</b>	<b>280mm</b>

Measurements without circulation tray

Please note images are for representation purposes only

## Vessel capacity with tank lid

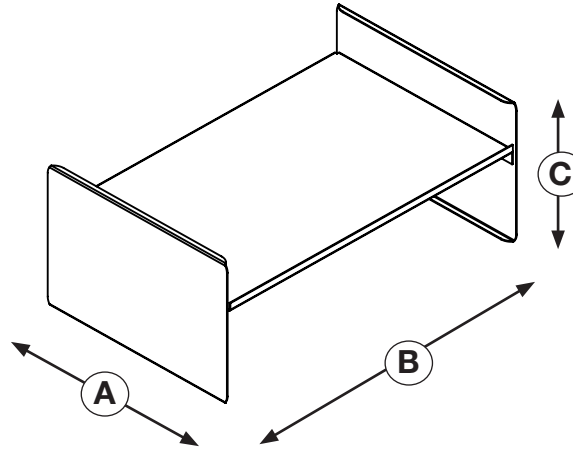
	Diameter	Height	Max. no in bath
Duran 21-801: 100ml	56mm	105mm	45s
Duran 21-801: 150ml	62mm	110mm	40s
Duran 21-801: 250ml	70mm	143mm	28s
Duran 21-801: 500ml	86mm	181mm	18
Duran 21-801: 750ml	95mm	203mm	15s
Duran 21-801: 1000ml	101mm	230mm	14s
Duran 21-801: 2000ml	136mm	265mm	4

## Vessel capacity without tank lid

	Diameter	Height	Max. no in bath
Duran 21-801: 100ml	56mm	105mm	45s
Duran 21-801: 150ml	62mm	110mm	40s
Duran 21-801: 250ml	70mm	143mm	28s
Duran 21-801: 500ml	86mm	181mm	18
Duran 21-801: 750ml	95mm	203mm	15s
Duran 21-801: 1000ml	101mm	230mm	14s
Duran 21-801: 2000ml	136mm	265mm	8

s - staggered to fit maximum number

**Raised shelves dimensions**

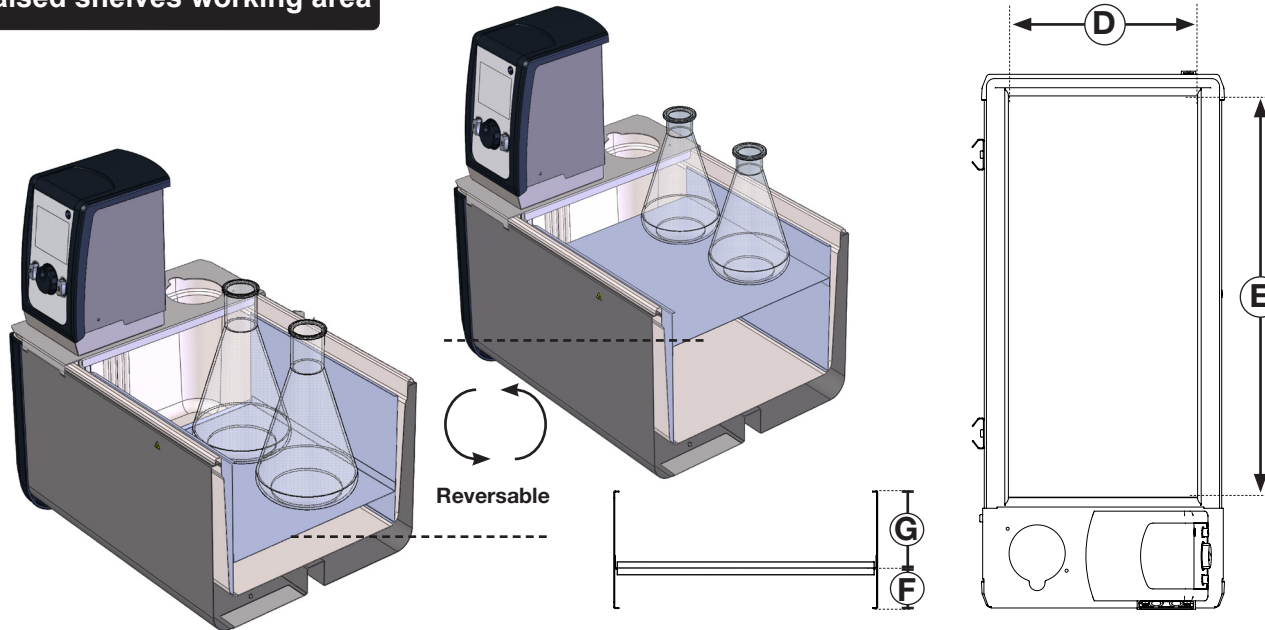


Please note images are for representation purposes only

**RS38 raised shelf dimensions:**

- A 570mm
- B 273mm
- C 168mm

**Raised shelves working area**



D	263mm
E	570mm
F	50mm
G	117mm

**ST38 tank accommodates 1 x RS38**

**Minimum liquid depth 125mm, to submerge at lower level depth use the raised shelf**

Please note images are for representation purposes only