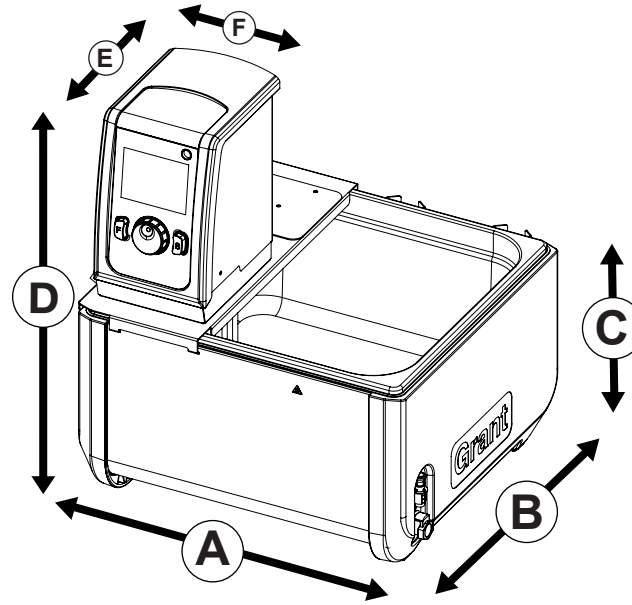


Overall dimensions



Please note images are for representation purposes only

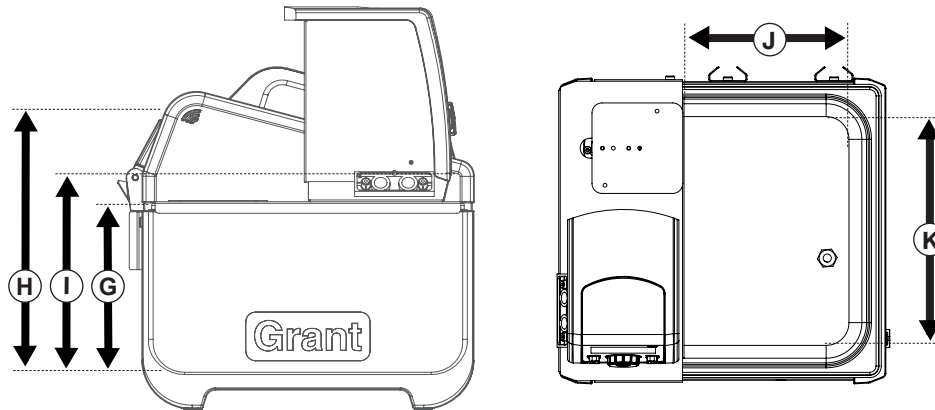
Packed weight:	Tank: 6.5kg
	Thermostat: 4kg
	Total: 10.5kg
Product weight:	Tank: 4.5kg
	Thermostat: 2.8kg
	Total: 7.3kg

Packed dimensions (h x w x d):

Thermostat: 310mm x 440mm x 200mm
Tank: 420mm x 690mm x 420mm

Product dimensions:	A 535mm
	B 335mm
	C 215mm
	D 415mm
	E 172mm
	F 120mm

Working area



Can be used with or without circulation tray provided (height 14mm)

H	245mm
G	150mm
I	180mm
J	360mm
K	250mm

Measurements without circulation tray

Please note images are for representation purposes only

Vessel capacity with tank lid

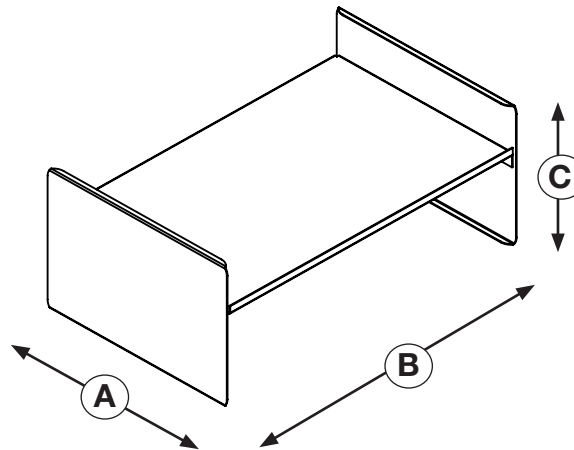
	Diameter	Height	Max. no in bath
Duran 21-801: 100ml	56mm	105mm	28s
Duran 21-801: 150ml	62mm	110mm	20
Duran 21-801: 250ml	70mm	143mm	18
Duran 21-801: 500ml	86mm	181mm	12
Duran 21-801: 750ml	95mm	203mm	7s
Duran 21-801: 1000ml	101mm	230mm	3
Duran 21-801: 2000ml	136mm	265mm	0

Vessel capacity without tank lid

	Diameter	Height	Max. no in bath
Duran 21-801: 100ml	56mm	105mm	28s
Duran 21-801: 150ml	62mm	110mm	20
Duran 21-801: 250ml	70mm	143mm	18
Duran 21-801: 500ml	86mm	181mm	12
Duran 21-801: 750ml	95mm	203mm	9s
Duran 21-801: 1000ml	101mm	230mm	8s
Duran 21-801: 2000ml	136mm	265mm	4s

s - staggered to fit maximum number

Raised shelves dimensions

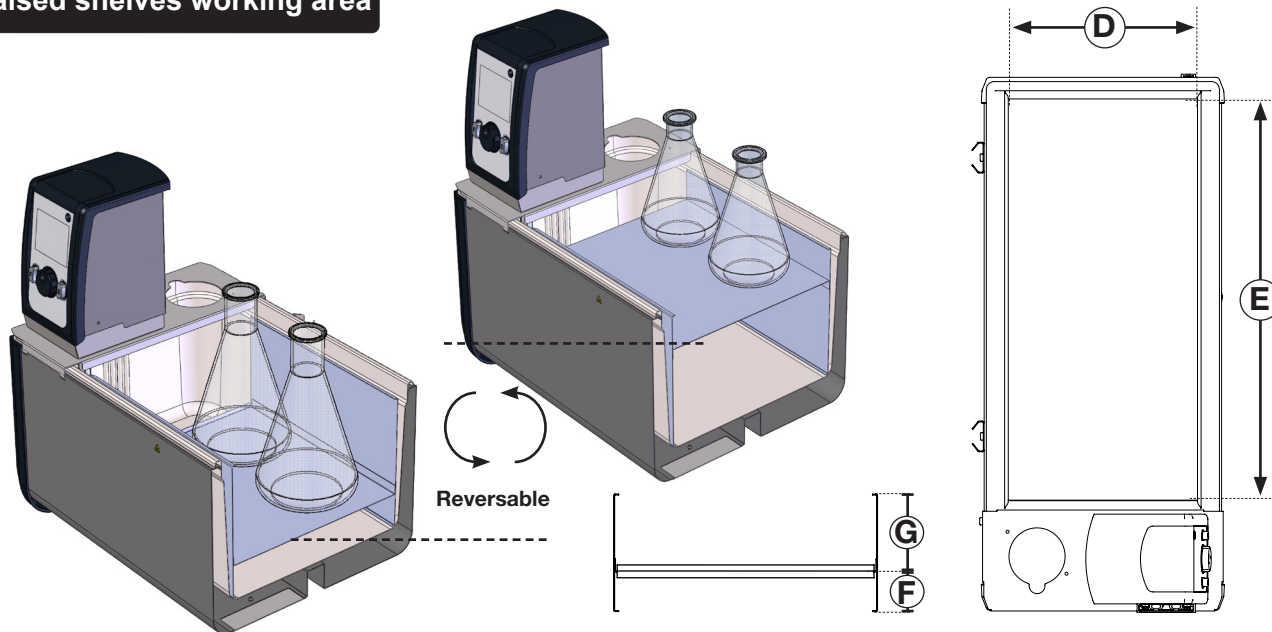


Please note images are for representation purposes only

RS22 raised shelf dimensions:

- A 330mm
- B 267mm
- C 118mm

Raised shelves working area



D	257mm
E	330mm
F	40mm
G	77mm

ST18 tank accommodates 1 x RS22

Minimum liquid depth 75mm, to submerge at lower level depth use the raised shelf

Please note images are for representation purposes only