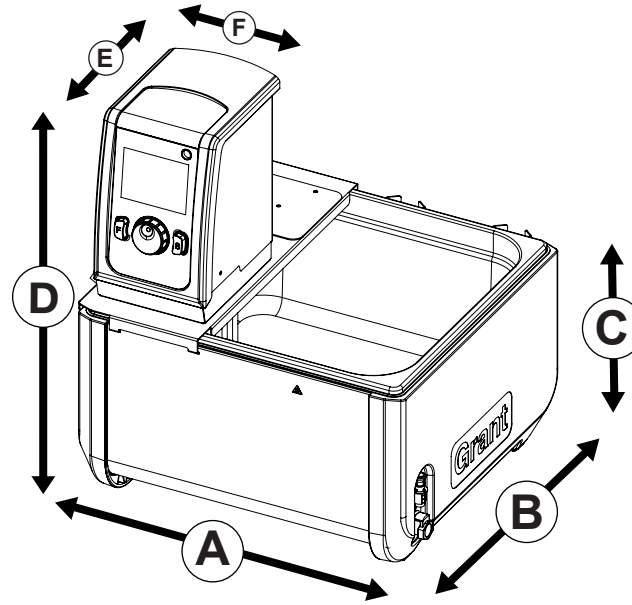


## Overall dimensions



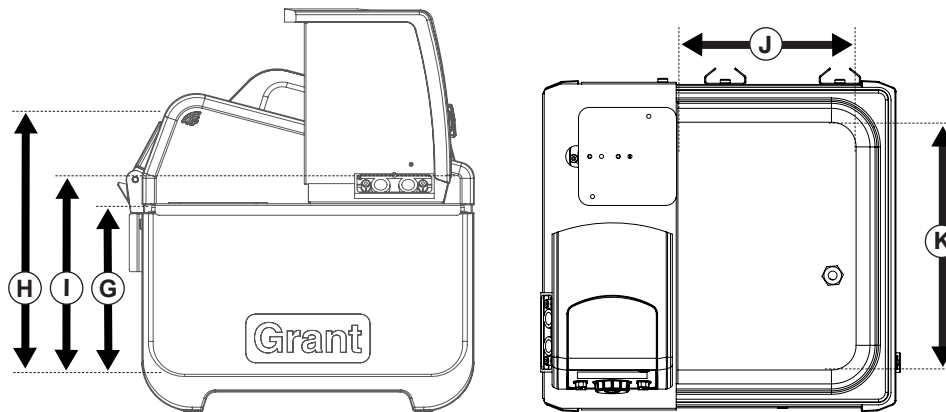
Please note images are for representation purposes only

<b>Packed weight:</b>	Tank: 6.5kg
	Thermostat: 4kg
	Total: 10.5kg
<b>Product weight:</b>	Tank: 4.5kg
	Thermostat: 2.8kg

**Packed dimensions (h x w x d):**  
 Thermostat: 440mm x 200mm x 310mm  
 Tank: 500mm x 410mm x 410mm

<b>Product dimensions:</b>	A 360mm
	B 335mm
	C 215mm
	D 415mm
	E 172mm
	F 120mm

## Working area



H	245mm
G	150mm
I	180mm
J	180mm
K	250mm

Please note images are for representation purposes only

### Vessel capacity with tank lid

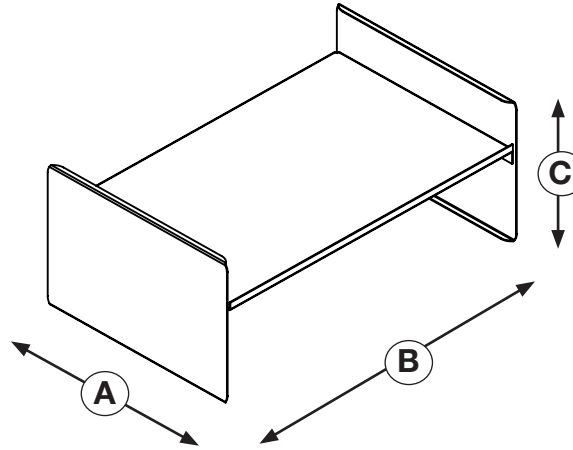
	Diameter	Height	Max. no in bath
Duran 21-801: 100ml	56mm	105mm	13s
Duran 21-801: 150ml	62mm	110mm	12
Duran 21-801: 250ml	70mm	143mm	9s
Duran 21-801: 500ml	86mm	181mm	6
Duran 21-801: 750ml	95mm	203mm	2s
Duran 21-801: 1000ml	101mm	230mm	1
Duran 21-801: 2000ml	136mm	265mm	0

### Vessel capacity without tank lid

	Diameter	Height	Max. no in bath
Duran 21-801: 100ml	56mm	105mm	13s
Duran 21-801: 150ml	62mm	110mm	12
Duran 21-801: 250ml	70mm	143mm	9s
Duran 21-801: 500ml	86mm	181mm	6
Duran 21-801: 750ml	95mm	203mm	4s
Duran 21-801: 1000ml	101mm	230mm	4s
Duran 21-801: 2000ml	136mm	265mm	1

s - staggered to fit maximum number

**Raised shelves dimensions**

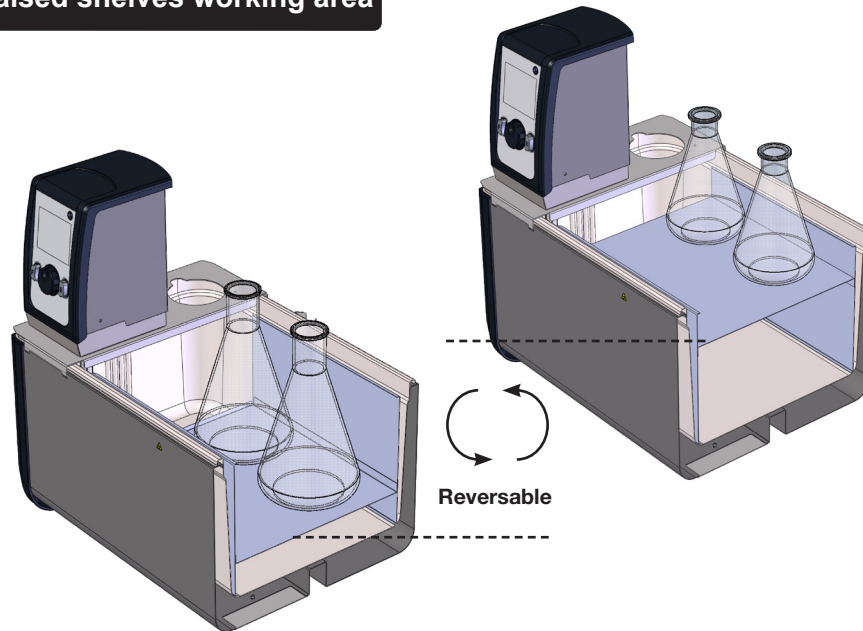


Please note images are for representation purposes only

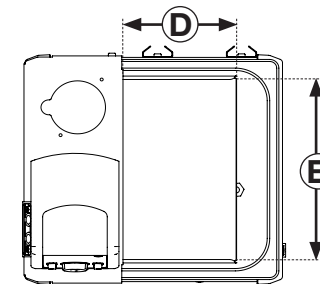
**RS14 raised shelf dimensions:**

**A 170mm  
B 275mm  
C 118mm**

**Raised shelves working area**



Reversible



D	157mm
E	265mm
F	40mm
G	77mm

**ST12 tank accommodates 1 x RS14 raised shelf**

**Minimum liquid depth 85mm, to submerge at lower level depth use the raised shelf**

Please note images are for representation purposes only